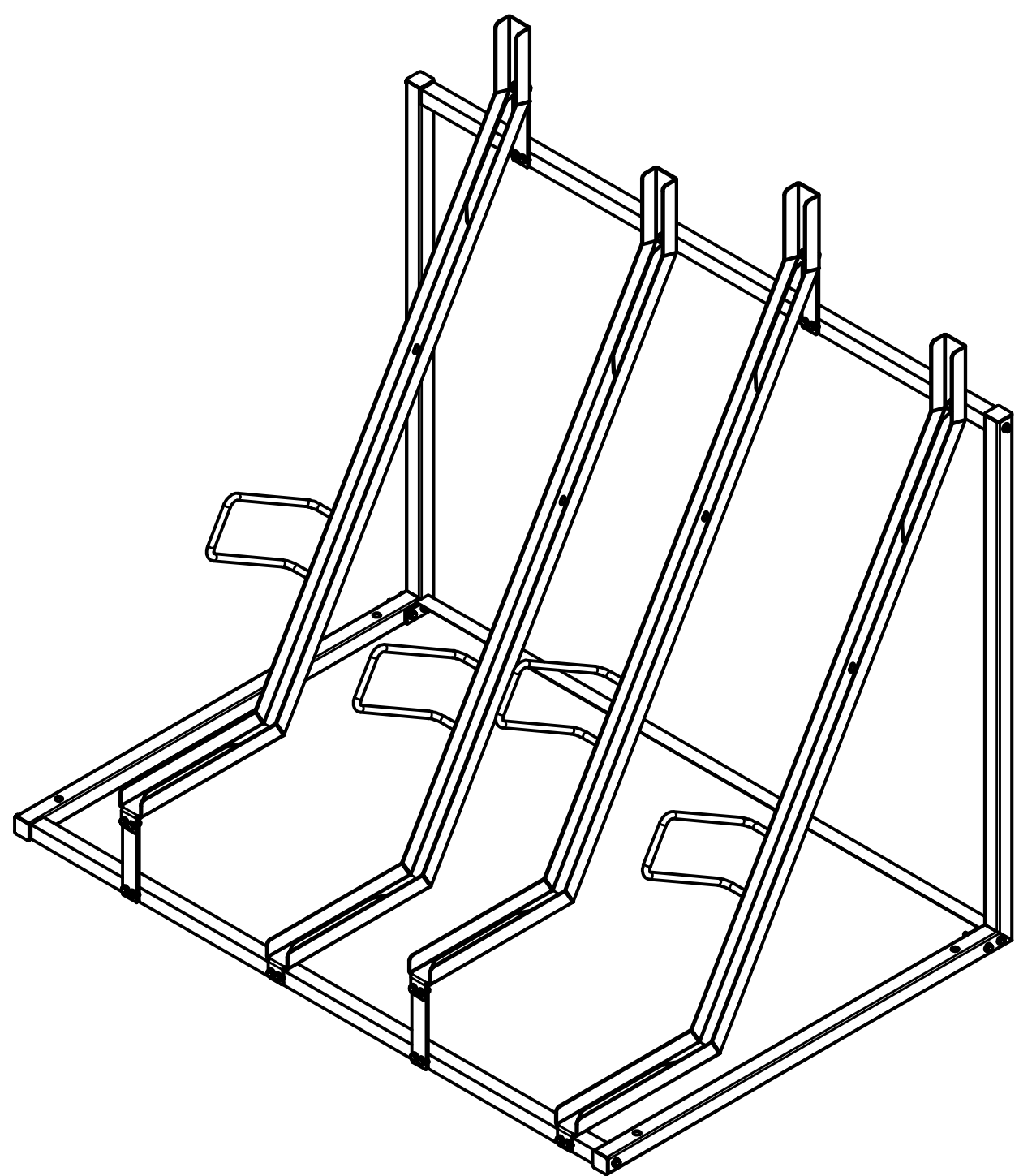




Rev	Datum	Door
-	3-2-2017	RBO
A	28-2-2017	Administrator
B	1-7-2022	RBO



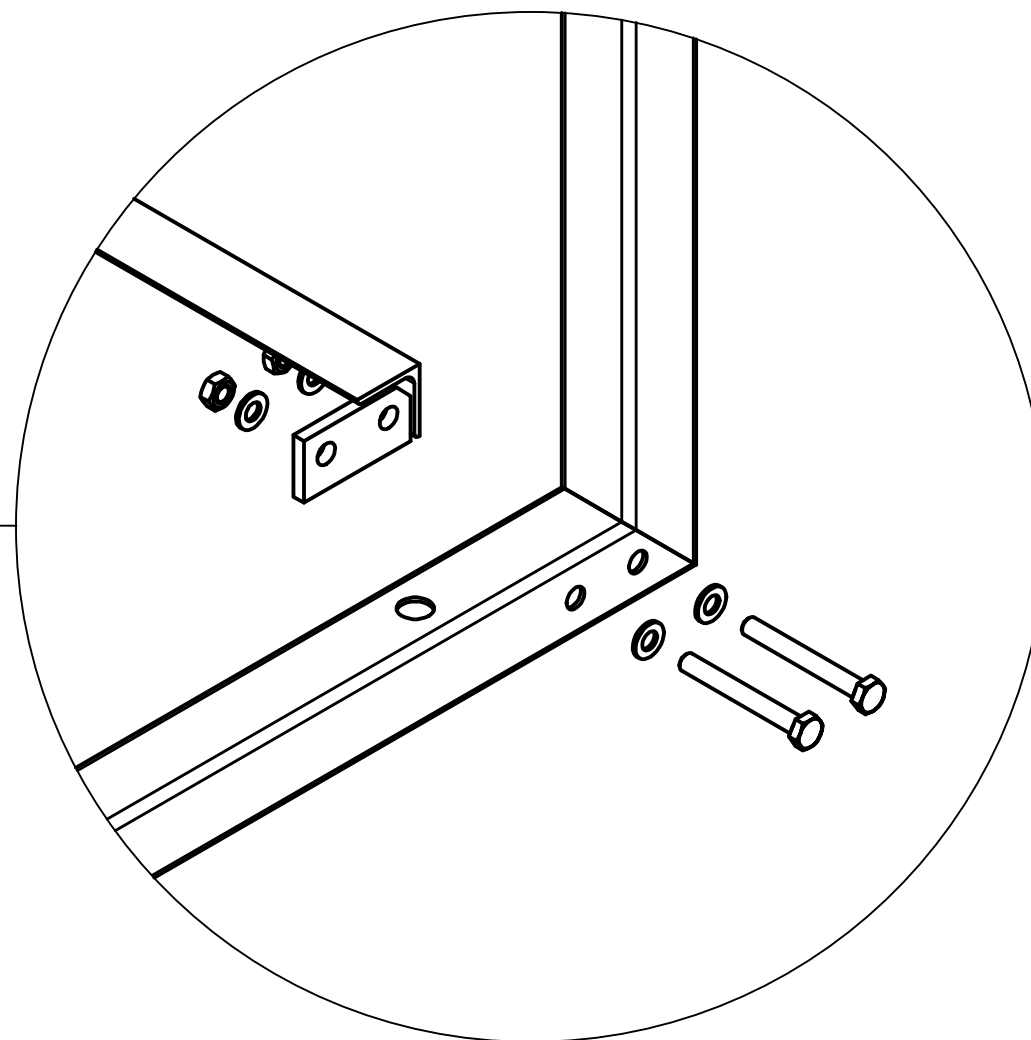
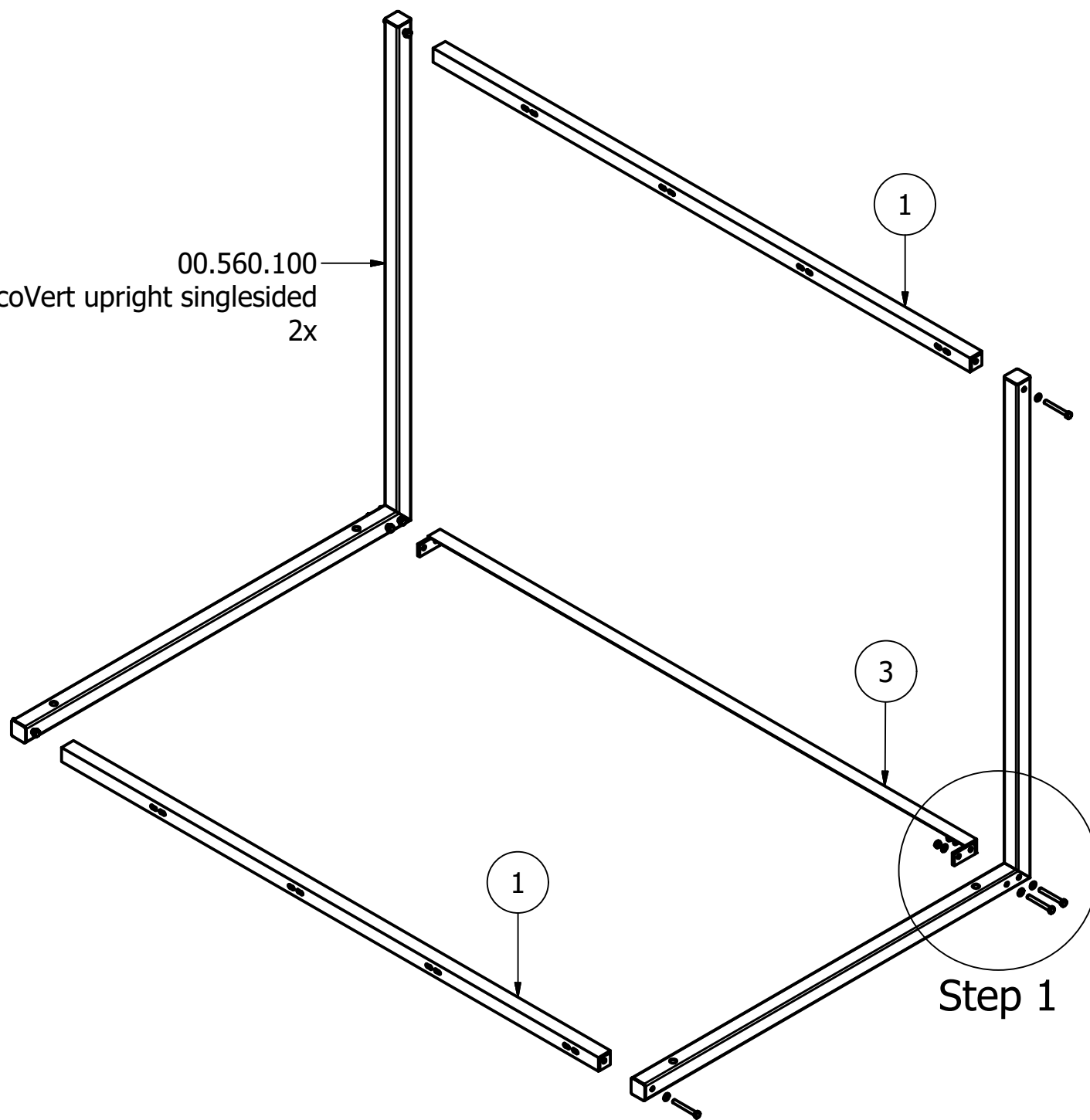
Stuklijst			
Pos.	Artikelcode	STS	Omschrijving
1	OND00.561.104	2	FalcoVert upper/lower purlin l=1560
2	OND00.560.200	4	FalcoVert connecting strip 40x6 l=200
3	OND00.561.204	1	FalcoVert middle purlin singlesided l=1560
4	OND00.560.300	4	FalcoVert bicycle gutter
5	92.108.020	24	Bolt stainless steel A2 M8x20, DIN 933
6	92.500.008	24	Nut stainless steel A2 M8, DIN 934
7	92.600.008	48	Washer stainless steel A2 M8, DIN 125

 Falco BV Postbus 18 7670AA Vriezenveen	T +31 (0)546 55 44 44 F +31 (0)546 56 11 15 I www.falco.nl	Artikelcode:	Revisie:
		<b>MON00.5-SERIE</b>	<b>A</b>
Tekenaar: RBO	Maateenheid: mm	Omschrijving: <b>FalcoVert singlesided assembly instructions</b>	Formaat:
Getekend: 2-2-2017 00:00:00	Schaal: 1 : 12		<b>A3</b>
Documentnr.: E0032164.dwg B	Blad: 1 / 4		


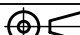
00.560.100  
FalcoVert upright singlesided  
2x

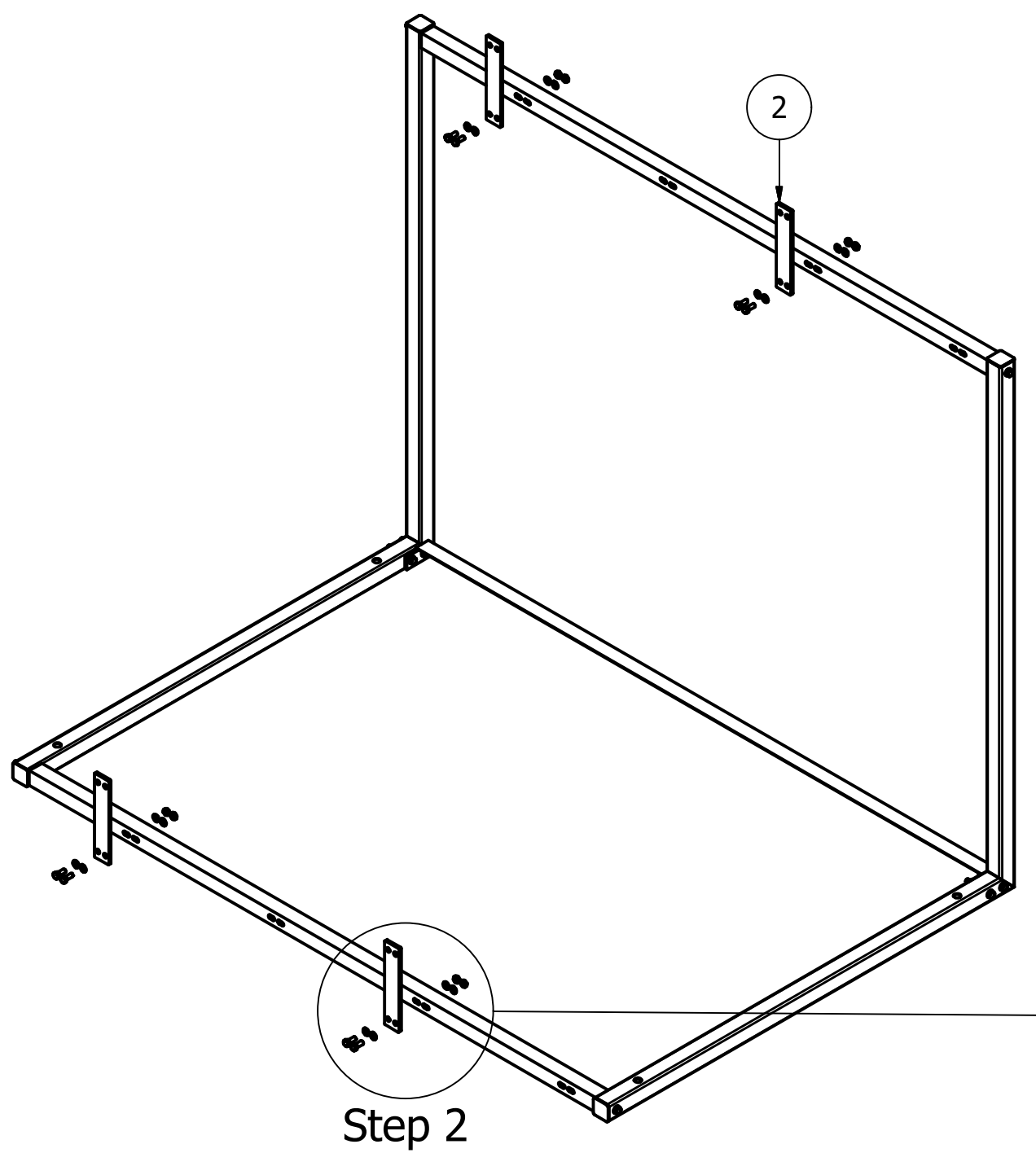
Step 1. Mount the purlins (1, 3) to the uprights with:

- 8x bolt M8x65 (stainless steel)
- 16x washer M8 (stainless steel)
- 8x nut M8 (stainless steel)



Step 1 ( 1 : 3 )

	Falco BV Postbus 18 7670AA Vriezenveen	T +31 (0)546 55 44 44 F +31 (0)546 56 11 15 I www.falco.nl	Artikelcode: <b>MON00.5-SERIE</b>	Revisie: <b>A</b>
	Tekenaar: RBO	Maateenheid: mm	Omschrijving: FalcoVert singlesided assembly instructions	Formaat: <b>A3</b>
Getekend: 2-2-2017 00:00:00	Schaal: 1 : 12	Documentnr.: E0032164.dwg B	Blad: 2 / 4	

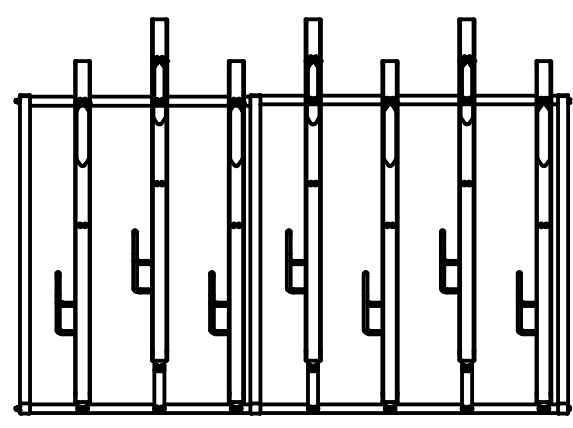
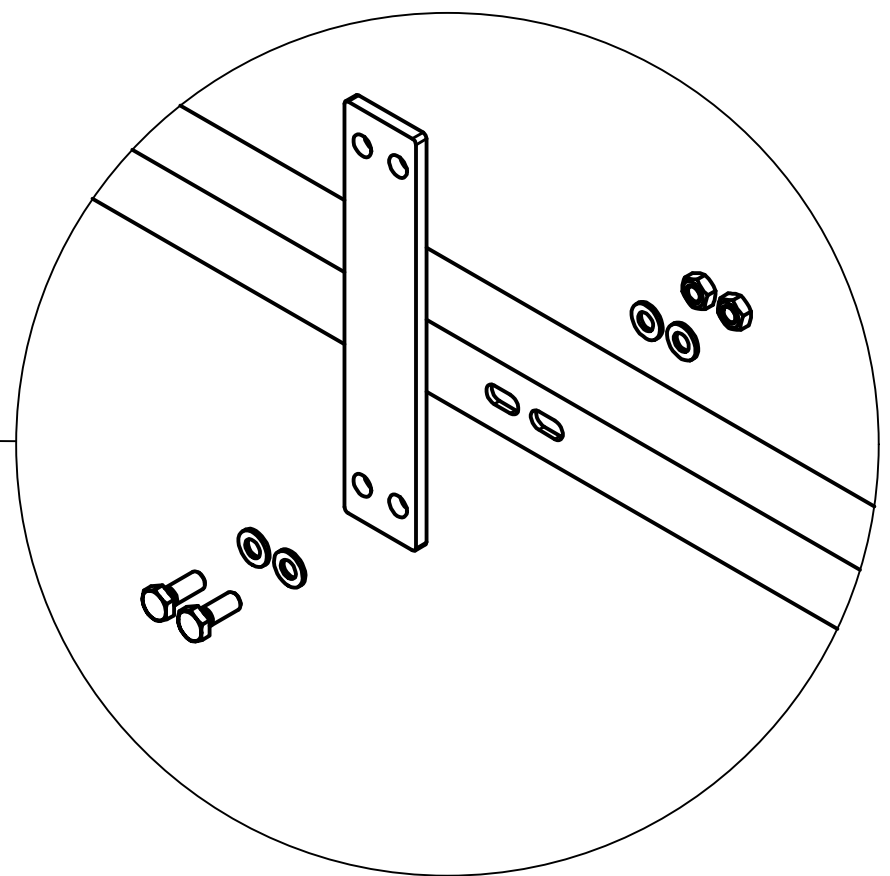


Step 2. Mount the connecting strips (2) for the upper places to the front side of the purlins with:

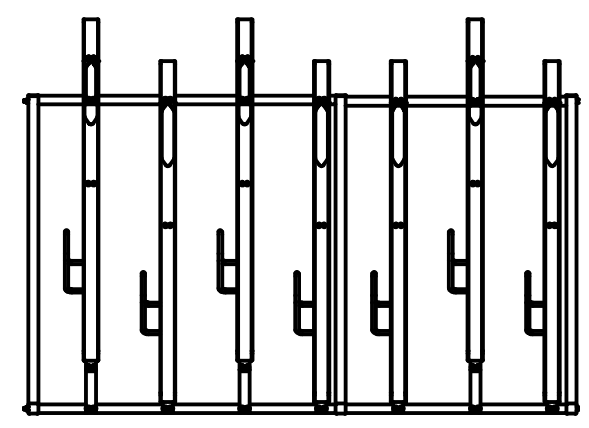
- 8x bolt M8x20 (stainless steel)
- 16x washer M8 (stainless steel)
- 8x nut M8 (stainless steel)

Make sure that you always start on the right side of the rack with a lower gutter, both the even and odd model.

When you have to place multiple racks, make sure the even models start right and any odd model finishes the row at left, as shown on the detail left below.



Correct ( 1 : 30 )



Incorrect ( 1 : 30 )

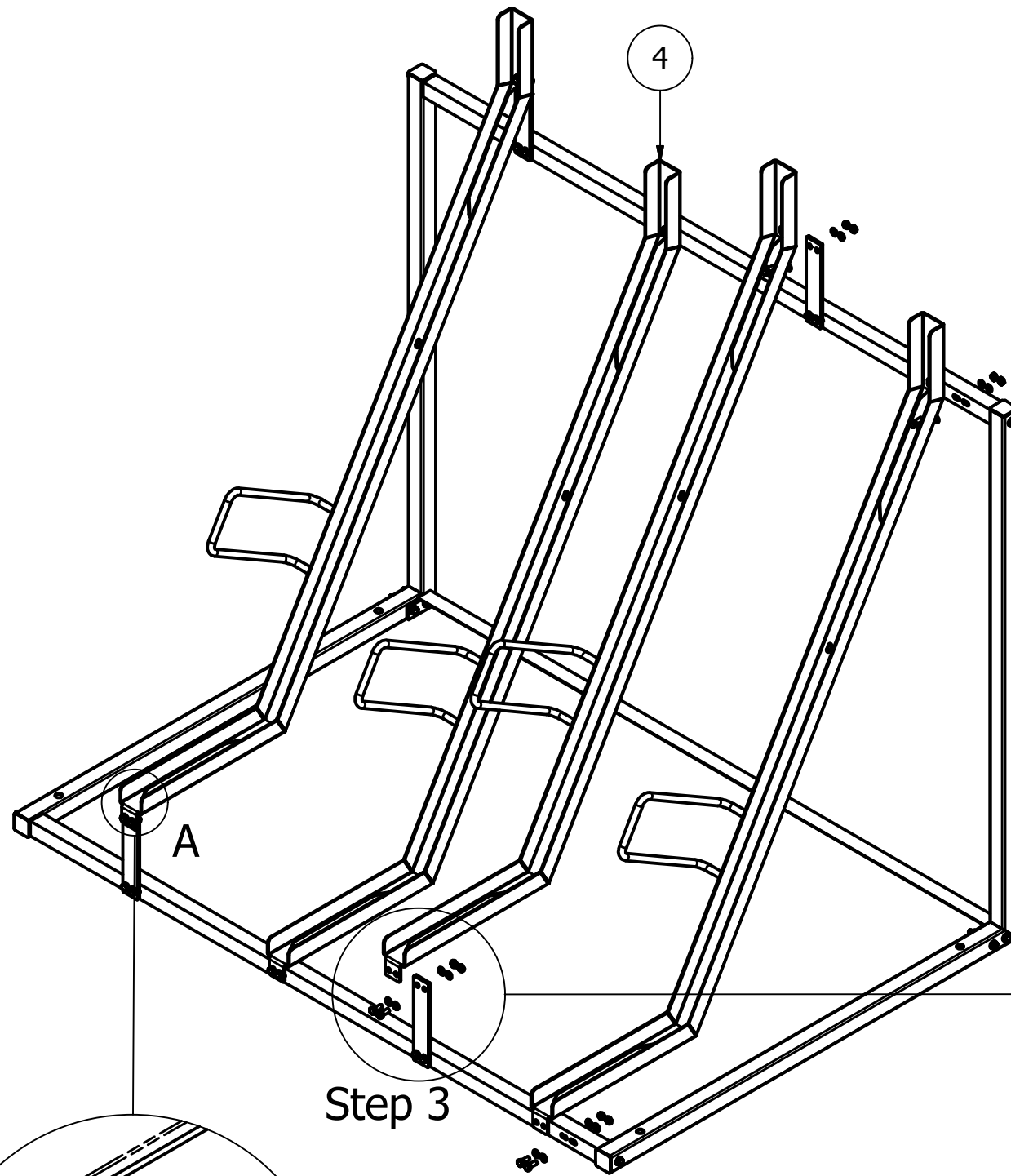
	Falco BV Postbus 18 7670AA Vriezenveen	T +31 (0)546 55 44 44 F +31 (0)546 56 11 15 I www.falco.nl	Artikelcode: <b>MON00.5-SERIE</b>	Revisie: <b>A</b>
	Tekenaar: RBO	Maateenheid: mm	Omschrijving: FalcoVert singlesided assembly instructions	Formaat: <b>A3</b>
Getekend: 2-2-2017 00:00:00	Schaal: 1 : 12	Documentnr.: E0032164.dwg B	Blad: 3 / 4	

Step 3. Place the bicycle gutters (4) and mount with:

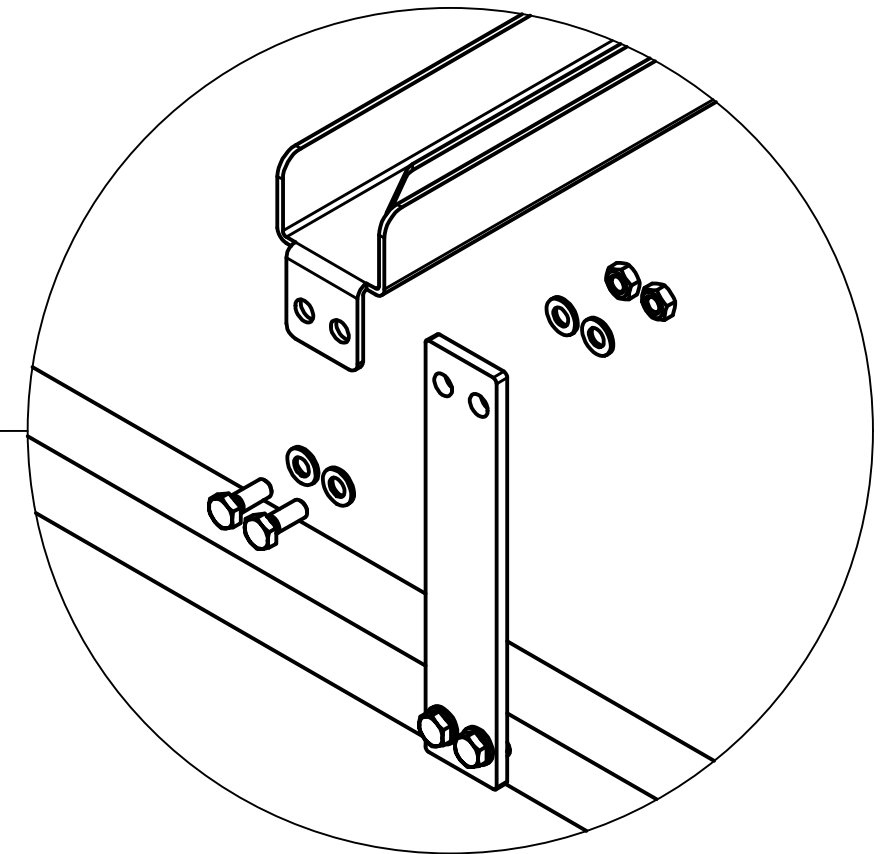
- 16x bolt M8x20 (stainless steel)
- 32x washer M8 (stainless steel)
- 16x nut M8 (stainless steel)

Step 4. Place the plastic end caps in the front and upper ends of the uprights.

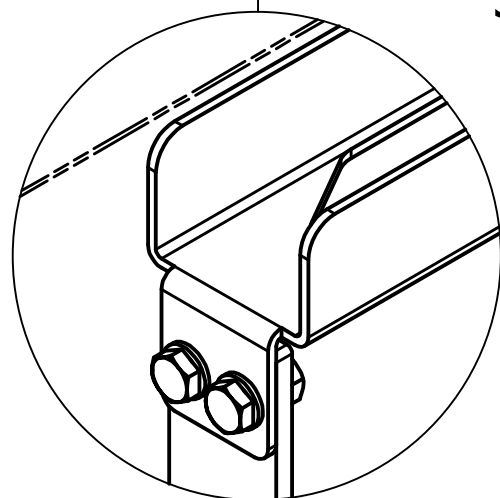
Mission completed!




Step 3



Step 3 ( 1 : 3 )



A ( 1 : 2 )

	Falco BV Postbus 18 7670AA Vriezenveen	T +31 (0)546 55 44 44 F +31 (0)546 56 11 15 I www.falco.nl	Artikelcode: <b>MON00.5-SERIE</b>	Revisie: <b>A</b>
	Tekenaar: RBO	Maateenheid: mm	Omschrijving: FalcoVert singlesided assembly instructions	Formaat: <b>A3</b>
Getekend: 2-2-2017 00:00:00	Schaal: 1 : 12	Documentnr.: E0032164.dwg B	Blad: 4 / 4	