

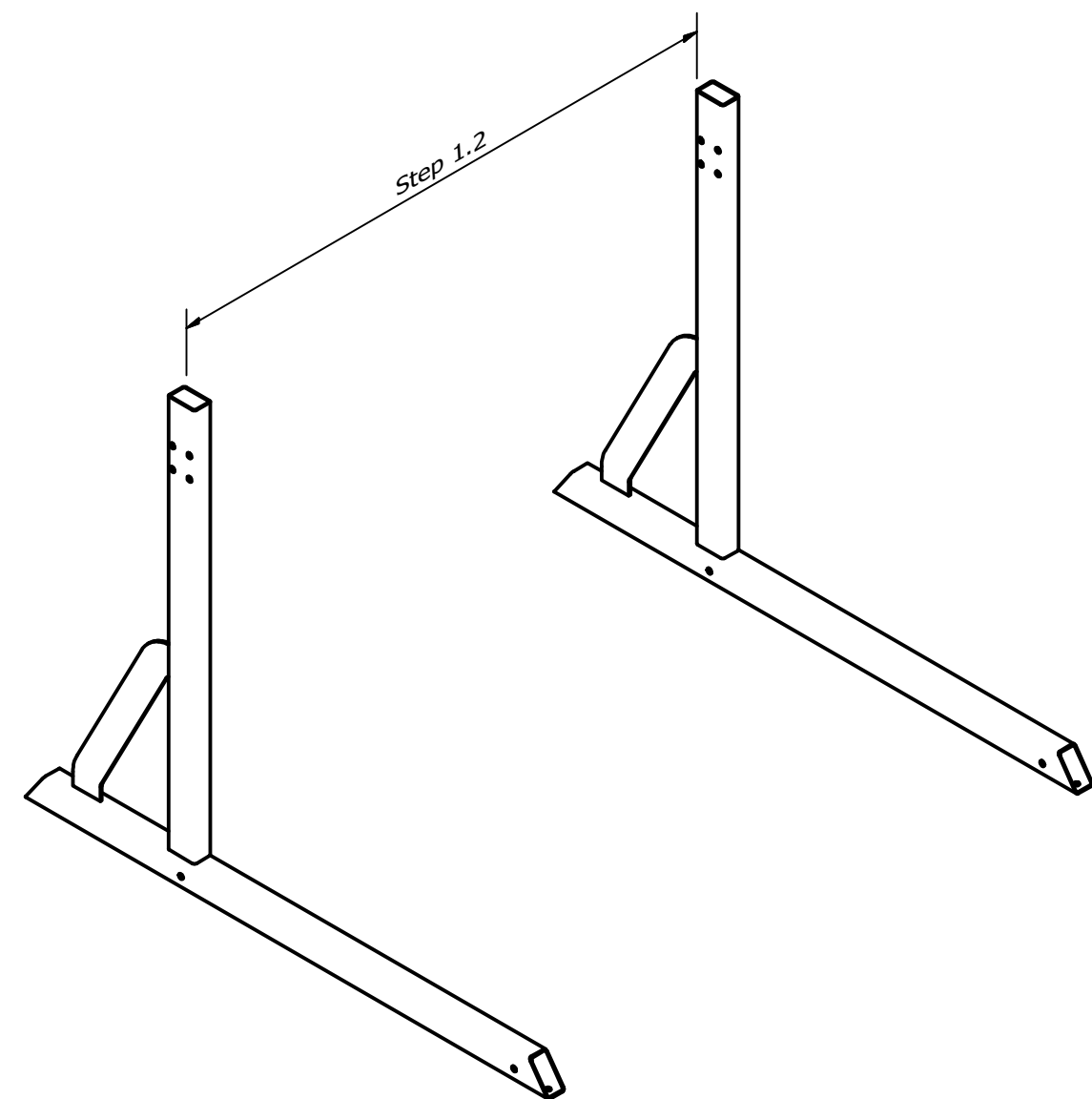
1.1 Measure the length of the crossbar.

1.2 Position the posts:

- Parallel;
- Fronts aligned;
- Spacing between posts = result step 1.1.





Note: the posts need support, they can't stand by themselves.



00001

Rev	Datum	Door
-	4-1-2018	RBO
A	4-1-2018	RBO

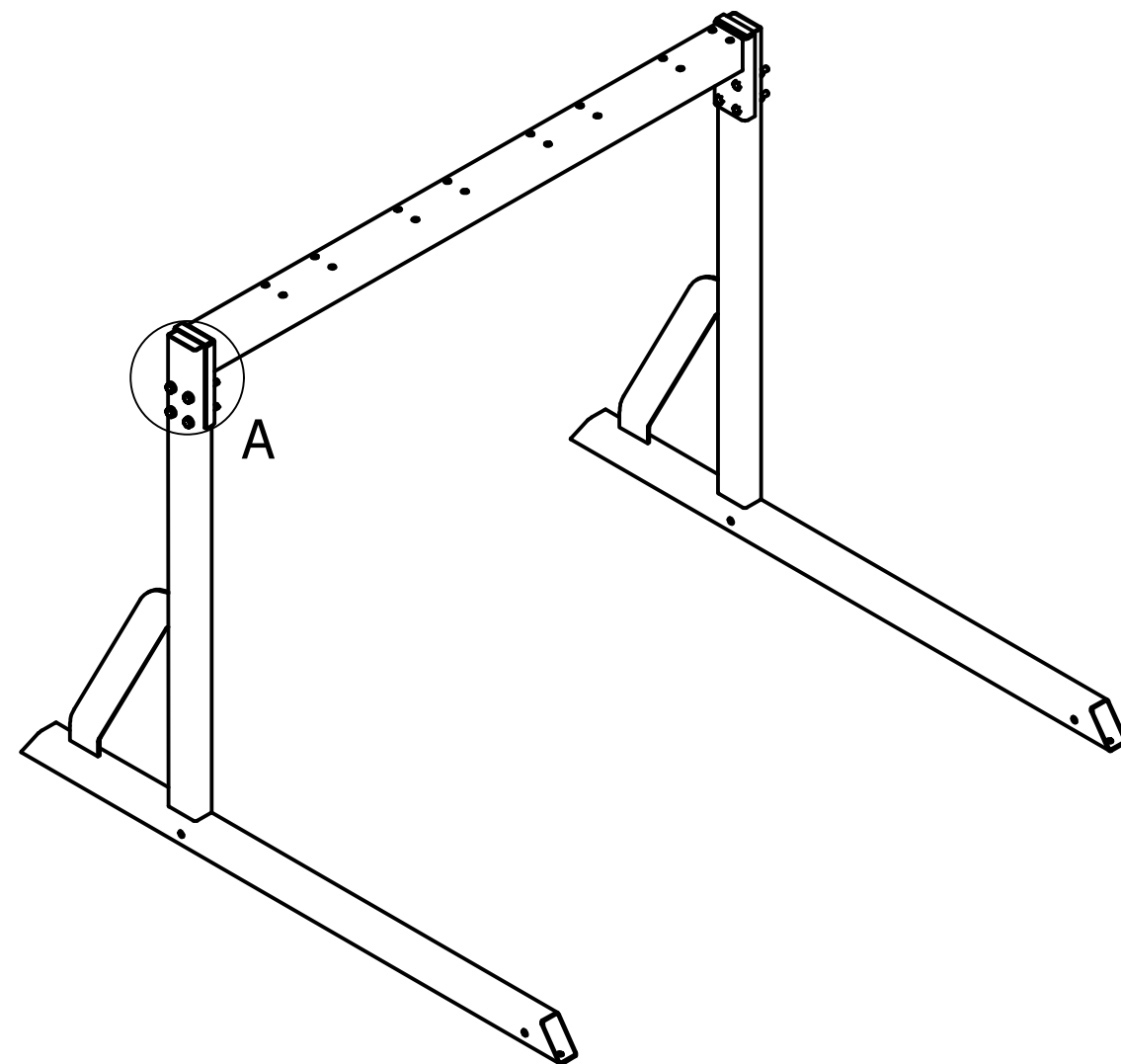
 Falco BV Postbus 18 7670AA Vriezenveen	T +31 (0)546 55 44 44 F +31 (0)546 56 11 15 I www.falco.nl	Artikelcode: 00.3-serie	Revisie: -
		Toleranties: EN ISO 13920 Norm: EN 1090 EXC 1	Omschrijving: FalcoLevel Eco assembly instructions
Tekenaar: RBO Getekend: 4-1-2018 Documentnr.: E0040772.dwg A	Blad: 1 / 5		

2.1 Put the crossbar on the posts.

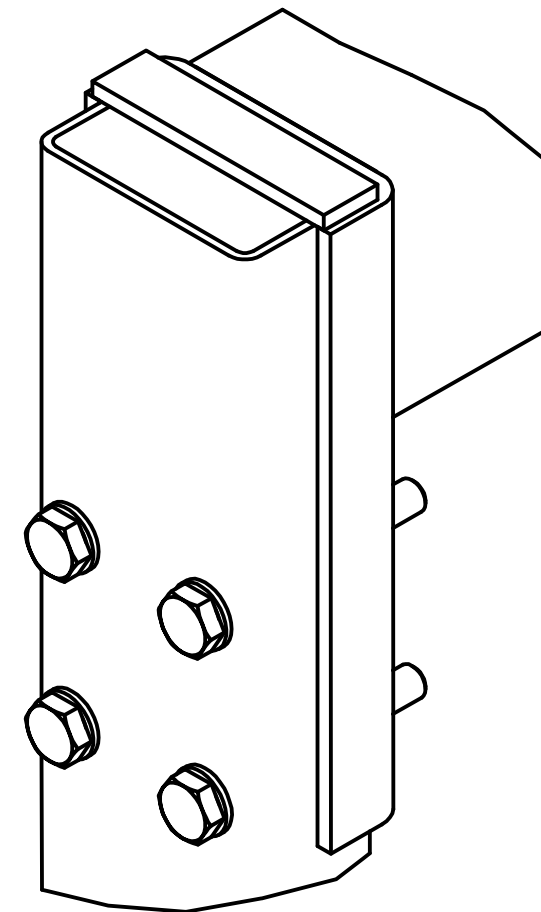
2.2 Fasten the parts with:

- 8x hex tap bolt M10x80
- 8x washer M10 (bolt-side)
- 8x spring washer M10 (nut-side)
- 8x hex nut M10



2.3 Make sure the construction is leveled in both (length and depth) directions.

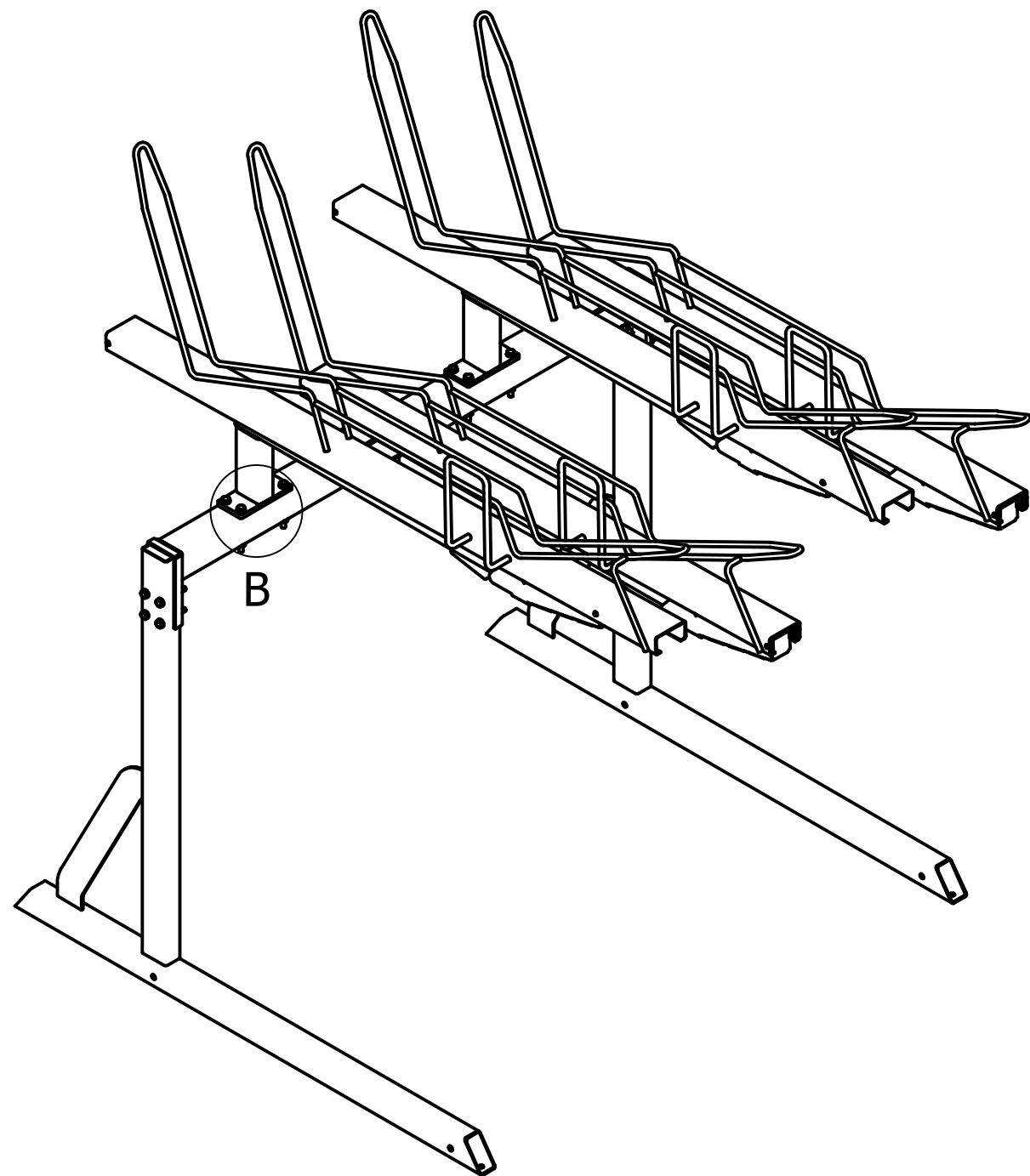


A (1 : 2)



00001

	Falco BV Postbus 18 7670AA Vriezenveen	T +31 (0)546 55 44 44 F +31 (0)546 56 11 15 I www.falco.nl	Artikelcode: 00.3-serie	Revisie: -
Toleranties:	EN ISO 13920	Norm:	EN 1090 EXC 1	Omschrijving:
Tekenaar:	RBO	Maateenheid:	mm	FalcoLevel Eco assembly instructions
Getekend:	4-1-2018	Schaal:	1 : 15	Formaat: A3
Documentnr.:	E0040772.dwg A	Blad:	2 / 5	



3.1 Place the preassembled gutters on the crossbar.

3.2 Fasten each gutter to the crossbar with:

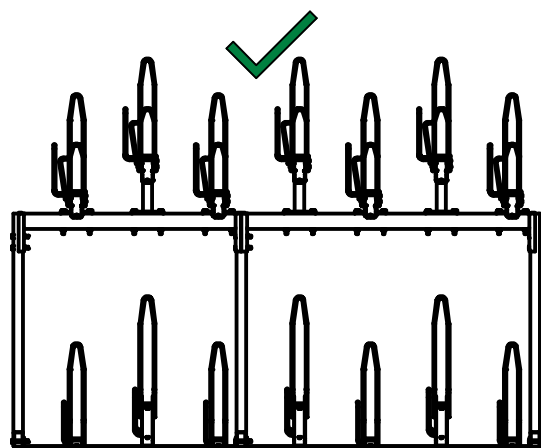
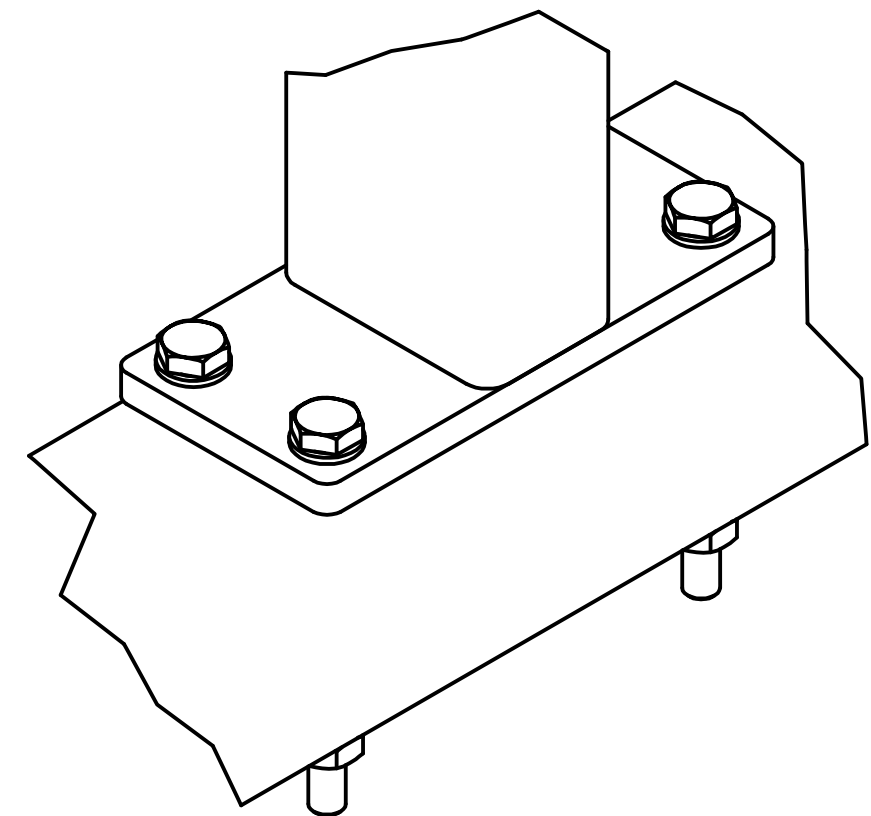
- 4x hex nut bolt M10x120
- 4x washer M10 (bolt-side)
- 4x spring washer M10 (nut-side)
- 4x hex nut M10



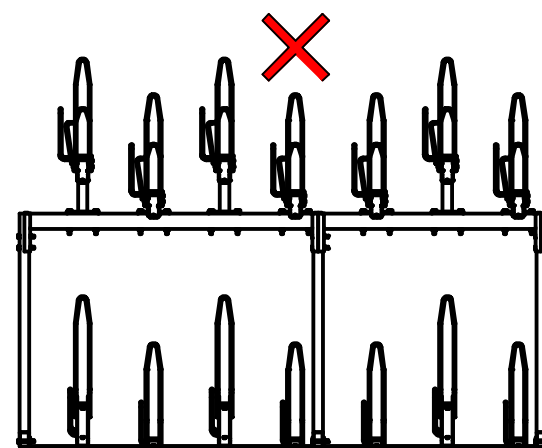
Note: make sure to start with a low gutter on the right.

When you have to place multiple racks, make sure the even models start right and any odd model finishes the row at left, as shown on the detail left below.

B (1 : 2)



Okay (1 : 40)



Not okay (1 : 40)

	Falco BV Postbus 18 7670AA Vriezenveen	T +31 (0)546 55 44 44 F +31 (0)546 56 11 15 I www.falco.nl	Artikelcode: 00.3-serie	Revisie: -
	Toleranties: EN ISO 13920	Norm: EN 1090 EXC 1	Omschrijving: FalcoLevel Eco assembly instructions	Formaat: A3
Tekenaar: RBO	Maateenheid: mm	Getekend: 4-1-2018	Schaal: 1 : 15	
Documentnr.: E0040772.dwg A	Blad: 3 / 5			

00001

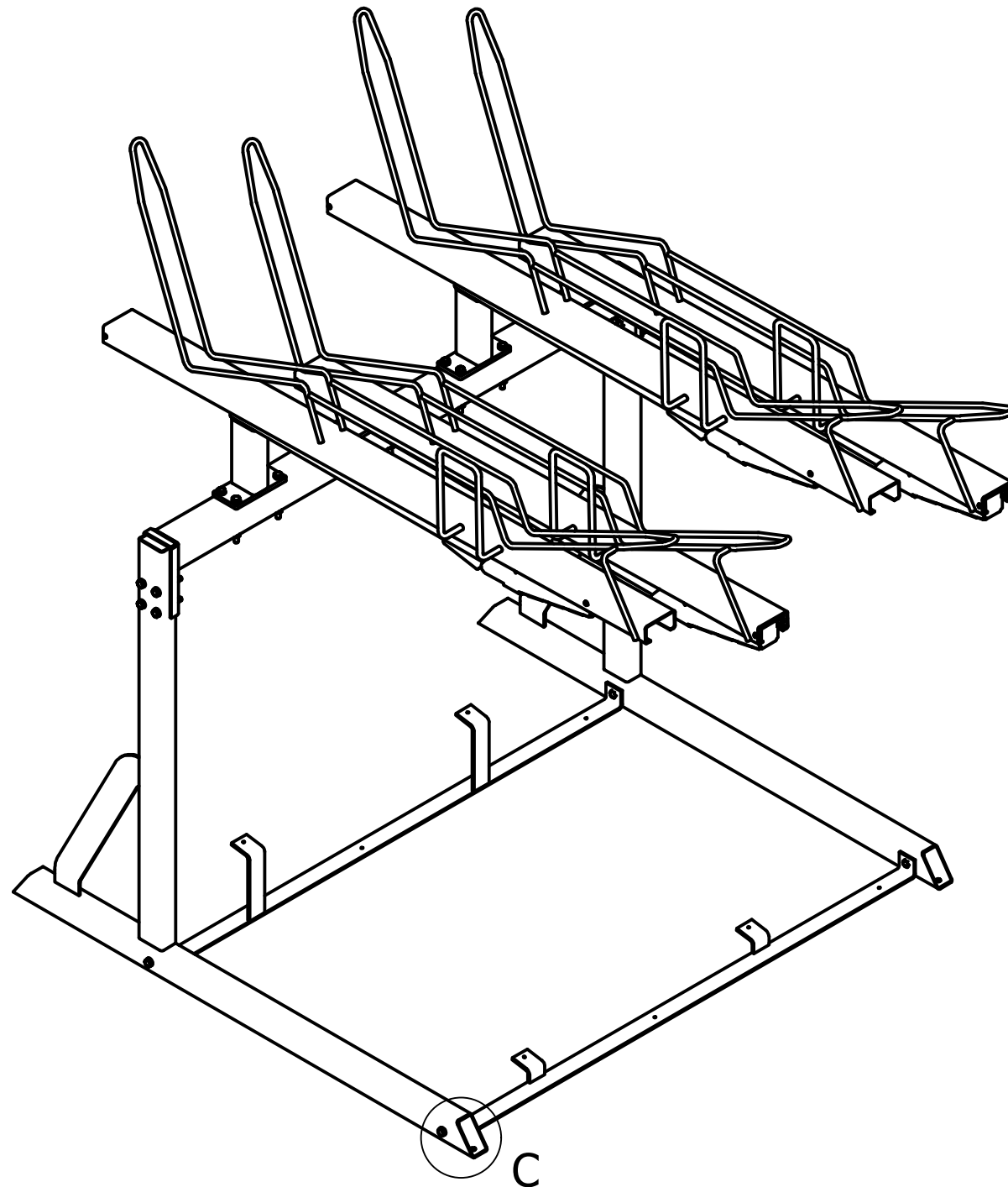
4.1 Place the lower crossbars between the posts, align the holes to the holes in the posts.



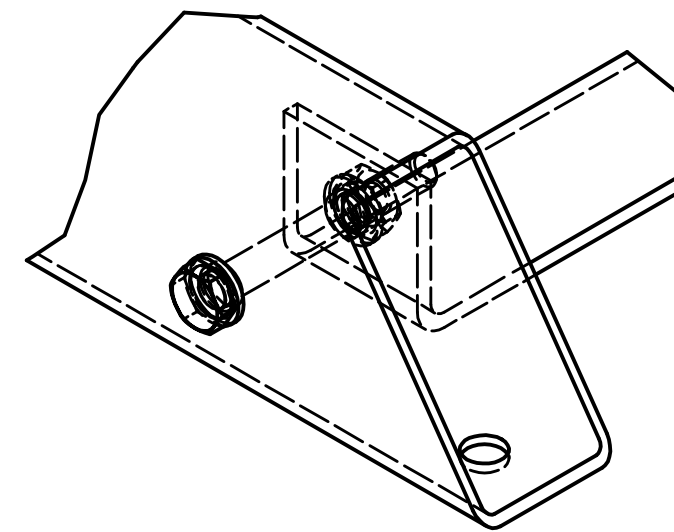
Note the difference between the high and low!

4.2 Fasten the parts with:



- 4x hex tap bolt M10x80
- 8x washer M10
- 4x hex nut M10

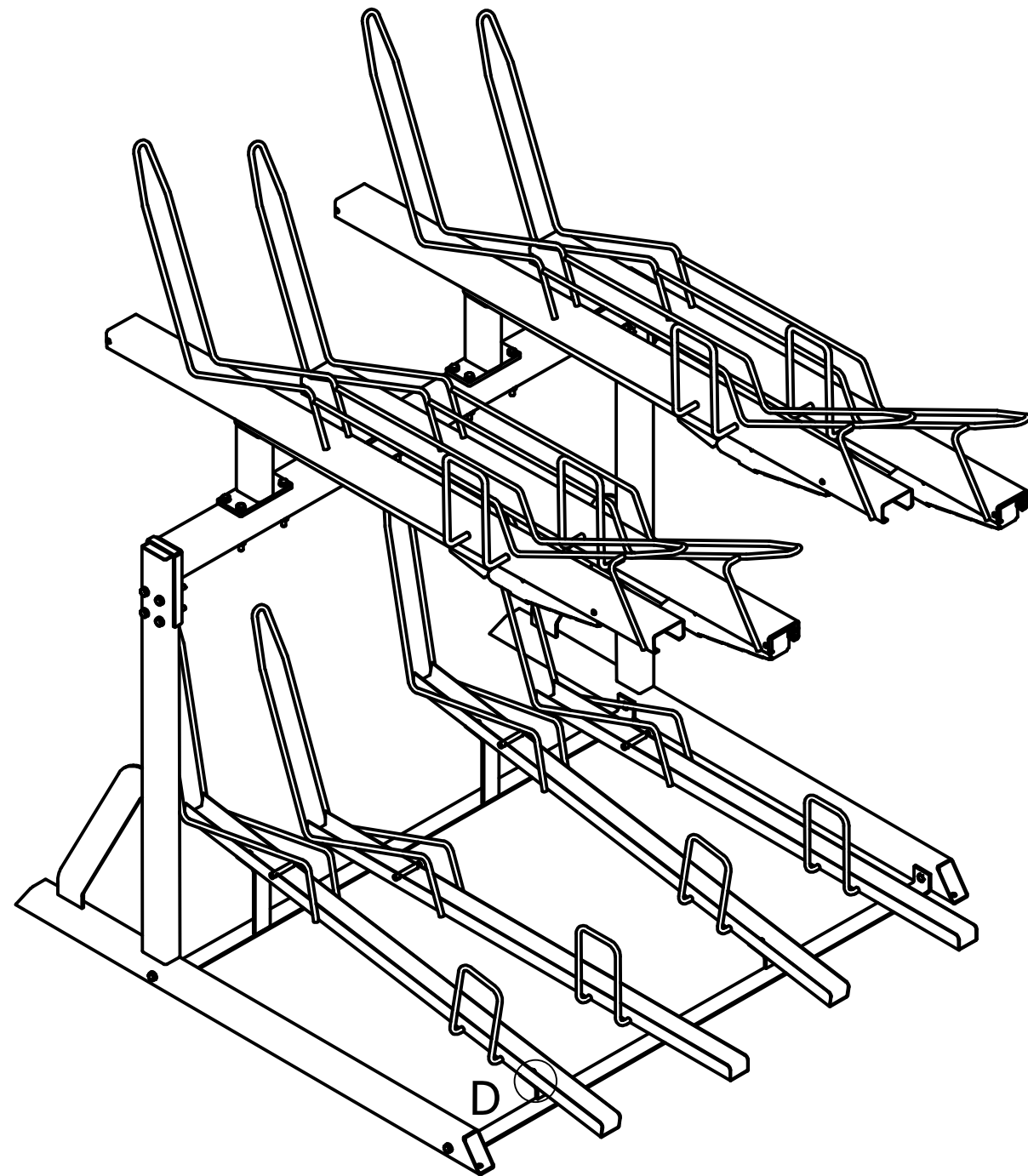


C (1 : 2)

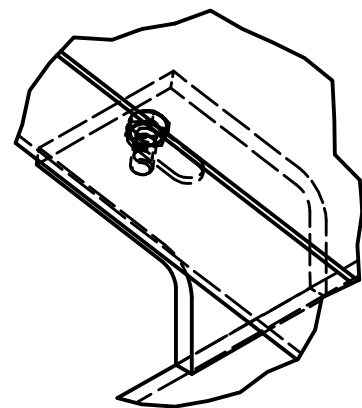


00001

	Falco BV Postbus 18 7670AA Vriezenveen	T +31 (0)546 55 44 44 F +31 (0)546 56 11 15 I www.falco.nl	Artikelcode: 00.3-serie	Revisie: -
	Toleranties: EN ISO 13920	Norm: EN 1090 EXC 1	Omschrijving: FalcoLevel Eco assembly instructions	Formaat: A3
Tekenaar: RBO	Maateenheid: mm	Schaal: 1 : 15		
Getekend: 4-1-2018	Blad: 4 / 5	Documentnr.: E0040772.dwg A		



D (1 : 2)



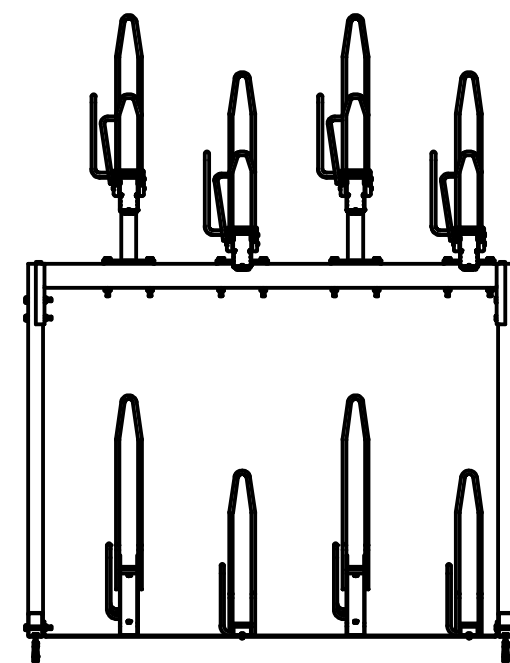
5.1 Place the wheelgutters.

5.2 Fasten the parts with:

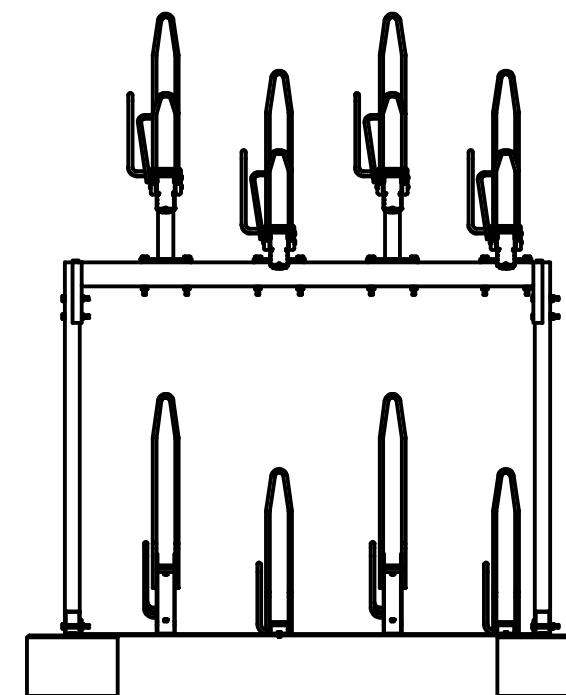
- 8x hex tap bolt M6x12
- 8x washer M6

5.3 Mount the construction on the specific surface. For example:



- 92.000.001 - fastening kit for FalcoLevel Premium+
- 96.015.180 - concrete block 30x30x20 with bolt (4x)



92.000.001 (1 : 25)



96.015.180 (1 : 25)

	Falco BV Postbus 18 7670AA Vriezenveen	T +31 (0)546 55 44 44 F +31 (0)546 56 11 15 I www.falco.nl	Artikelcode: 00.3-serie	Revisie: -
	Toleranties: EN ISO 13920	Norm: EN 1090 EXC 1	Omschrijving: FalcoLevel Eco assembly instructions	Formaat: A3
Tekenaar: RBO	Maateenheid: mm	Schaal: 1 : 15		
Getekend: 4-1-2018	Blad: 5 / 5			
Documentnr.: E0040772.dwg A				

00001